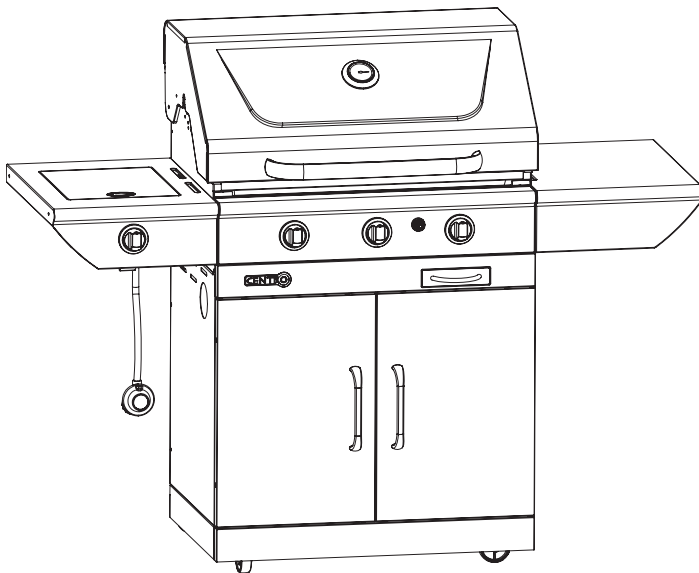


SERIAL #:



Barbecue 3000

SAFE USE, CARE AND ASSEMBLY MANUAL



FOR YOUR SAFETY If You Smell Gas

1. Immediately turn off the flow of gas to the unit.
2. Extinguish any open flame.
3. Open the lid of the unit.
4. If the odour does not stop quickly, immediately call your gas supplier or Fire Department for assistance.

FOR YOUR SAFETY

1. Do not store or use gasoline or other flammable vapours and liquids in the vicinity of this or other appliance.
2. An LP Gas cylinder not connected for use shall not be stored in the vicinity of this or other appliance.

WARNING

Failure to follow all of the manufacturer's instructions could result in hazardous fires, explosions, property damage, or serious personal injury or even death.

WARNING

Follow all leak check procedures carefully prior to operation of barbecue, even if barbecue was stored assembled. Do not try to light this barbecue without reading the Lighting Instructions section of this manual.

5-YEAR LIMITED WARRANTY

85-1114 (PROPANE) (G50206)

85-1099-8 (NATURAL GAS) (G50208)

Read and save this manual for future reference.
If pre-assembled, leave this manual with unit for consumer's future reference.

For product inquiries, parts, warranty and troubleshooting please call

1-877-707-5463

**THIS BARBECUE IS FOR
OUTDOOR USE ONLY**

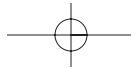


TABLE OF CONTENTS

Warranty ii

Installation Information 1

Additional Warnings 1

Use of LP Gas Cylinder, 1-2
Transportation and
Storage of the LP Cylinder,
Filling the LP Cylinder

Prior to Using the Grill 3

Safety Hose and Regulator 4

Safety Leak Testing 5

Lighting the Grill 6-8

Information On 9
Natural Gas Model

Parts List and 10-13
Parts Diagram

Assembly Instructions 15-19

WARRANTY

5 Year Limited Warranty

This Centro BBQ carries a five year limited warranty against defects in manufacturing workmanship. This Limited Warranty is nontransferable and becomes void if used for commercial or rental purposes. This warranty applies only when grill is used in Canada. The bill of sale or a copy will be required together with the serial number and model number when making any warranty claims from Trileaf Distribution. Trileaf Distribution reserves the right to have its representatives inspect any product or part prior to honouring any warranty claim. Trileaf Distribution shall not be liable for any transportation charges, or labour cost. This warranty is for replacement of defective parts only. The Manufacturer will not be responsible for incidental or consequential damages or any labor cost. Inability to provide proof of purchase, or if warranty coverage has expired, any request for parts will be subject to parts, shipping and handling fees. This limited warranty does not cover damage due to chipping and scratching of porcelain or painted surfaces including Cooking grates, nor does it cover corrosion or discolouration due to misuse, lack of maintenance, grease fires, hostile environments, accidents, alterations, abuse or neglect, improper installation and failure to read and/or abide by any product warnings. This limited warranty does not cover any damage sustained during removal or storage of this BBQ. Part failure due to lack of cleaning and maintenance, or use of improper cleaning products such as Oven Cleaner will not be covered under this manufacturer's warranty. This limited warranty does not cover any scratches or dents, corrosion or discolouring caused by heat, abrasive or chemical cleaners. Parts installed from other manufacturers will nullify this warranty.

5 Year Limited Warranty

The following functional parts are included under this warranty: Burners, manifold assembly and carryover assembly.

3 Year Limited Warranty

The following functional parts are included under this warranty: Burners, manifold assembly and carryover assembly.

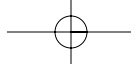
1 Year Limited Warranty

For one year from the date of original retail purchase Trileaf Distributions will replace any grill part that fails or is found to be defective to the degree of non-performance under normal household use, during the limited warranty period. Trileaf Distributions Ltd. are not responsible for any grill damage sustained during moving, storage, assembling or cleaning. Unless otherwise noted, as in above limitations, all components are covered for a period of one year.

IMPORTANT: Should you have difficulty operating this product, or have a part that has become defective within the stated warranty period, DO NOT RETURN TO STORE. STORES DO NOT STOCK REPLACEMENT PARTS AND ARE UNABLE TO HELP WITH TROUBLESHOOTING ADVICE. PLEASE CALL 1-877-707-5463. Have your Proff of purchase, serial number and model number available so that the customer support agent can be of assistance.

Purchaser: By accepting delivery of this Barbecue the purchaser, hereby accepts the foregoing and expressly waives any other remedy and damages, direct, indirect, and consequential.





INSTALLATION INFORMATION

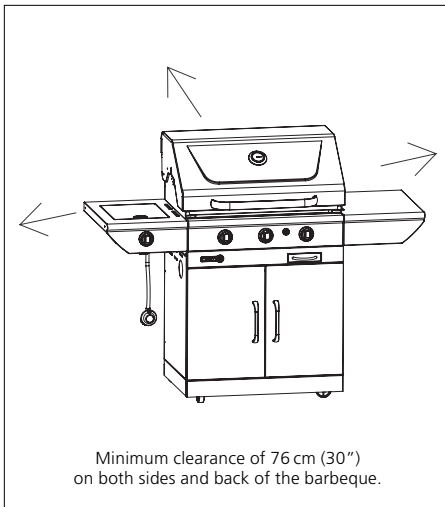
The installation of this appliance must be in accordance with all local codes, or in the absence of local codes:

- Canadian installation must conform to the current national standards, which at this time are CAN/CGA-B149.1/2-Natural Gas/Propane installation code.

ADDITIONAL WARNINGS

Minimum clearance to adjacent combustible materials:

- 76 cm (30") from furthest protruding edge on side of barbecue.
- 76 cm (30") from furthest protruding edge on back of barbecue.



Drawing A

See Drawing A

- Always keep the area around this barbecue clean and clear of any and all combustible materials such as gasoline or other inflammable liquids, paper or oily rags.
- **Do not** operate this barbecue under any overhanging or unprotected construction.
- Remember this barbecue is for **outdoor use only** and is **not** for use on any boat or recreational vehicle.
- Use this barbecue outdoors in a well-ventilated area and at least 3 m (10') from any dwelling or other building.
- **Do not** use in garages, or any other enclosed area.
- **Do not** leave your barbecue unattended while in operation.
- **Do not** obstruct the flow of combustion and ventilation air to the barbecue.
- **Do not** use while under the influence of drugs or alcohol.
- **Do not** store any spare L.P. (propane) cylinders, full or empty, under or near your barbecue.
- **Do not** allow children or pets to play anywhere near the barbecue.

USE OF LP GAS CYLINDER

Self-contained Propane Gas System

The self-contained (propane) gas system barbecue is designed to be used with only a 9.1 kg (20 lb) propane cylinder equipped with a type-1 cylinder valve. This barbecue **cannot** be connected to an existing #510 P.O.L. type valve cylinder (which has left-handed threads).

Do not connect to a propane gas cylinder exceeding 9.1kg capacity or use a cylinder with any other type of cylinder valve connection device.

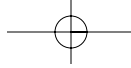
The Type-1 valve can easily be recognized by the large external thread on the outside of the valve. Older existing valves **do not** have this outer external thread. Any attempt to connect a regulator to any connector other than the mating Type-1 connector (which comes with a large, black coupling nut such as the #510 P.O.L.) could result in fires, injuries or property damage, and could reduce the effectiveness of the important safety features built into the Type-1 system. Also connecting the #510 P.O.L. fitting to the cylinder will negate the flow control and the temperature shut-off features built into the new Type-1 connection system.

- The cylinder should not exceed 472 mm (18 1/2") in height and 317 mm (12 1/2") in diameter.

When purchasing a cylinder for your barbecue, it must be constructed and marked as meeting the specifications of:

- Canada: Transport Canada.





The Cylinder must also be equipped with:

- A shut-off valve with a correct cylinder valve outlet as specified in current standards.
 - Canada: CAN/CGA 1.6g-M97 Outdoor Gas Grilles.
 - a) A safety relief valve with direct connection to the vapour space of the cylinder.
 - b) A collar to protect the tank shut-off valve.
 - c) A device for vapour withdrawal.
 - d) A ring on the bottom to secure the tank to its support assembly.
- Always turn off the cylinder valve completely when the barbecue is not in use.
 - Always handle the tank valve with utmost care.
 - Never connect an unregulated L.P. gas cylinder to the barbecue.
 - Always keep the cylinder, in use, securely fastened in an upright position.
 - Never store a spare cylinder, empty or full, near or under the barbecue when in operation.
 - Never expose the cylinders to direct sunlight or excessive heat.
 - Never insert any kind of object into the valve outlet as this may damage the backcheck; a backcheck that is damaged can leak, and a leaking propane cylinder can result in fires or explosions, property damage, severe injuries or death.

**TRANSPORTATION
AND STORAGE
OF THE LP CYLINDER**

The propane cylinder is totally safe when handled properly, but if misused, the result could be an explosion or fire resulting in serious personal injury and/or property damage.

To Avoid Unnecessary Risks

- Always recap the cylinder with the cap provided when not connected to the barbecue.
- **Do not** store the cylinder in any enclosed area such as a garage, and make sure the storage area has lots of ventilation.
- **Do not** store the cylinder near any appliances, or in any areas that may become hot, such as the trunk of a vehicle.
- Make sure the cylinder is out of reach of children.
- When transporting or storing the cylinder, make sure it is in an upright position and not on its side.
- **Do not** smoke around the cylinder, especially when transporting it in a vehicle.

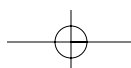
**FILLING THE
LP CYLINDER**

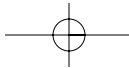
The cylinder must be filled prior to use and must have the air purged. For safety, follow these instructions when having your cylinder filled:

- Have only your local qualified LP gas dealer fill or repair a cylinder.
- **Do not** overfill the cylinder beyond the safe 80% fill level.
- Make sure the dealer tests and checks the cylinder for leaks after filling.

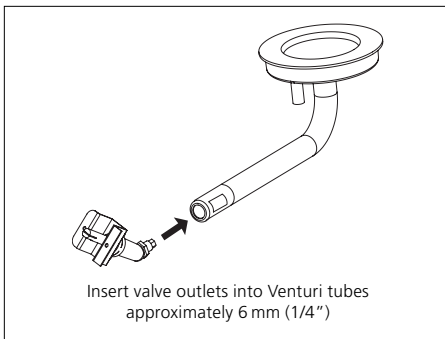
WARNING

**If the above instructions are not completely adhered to,
it could cause a fire / explosion, resulting in death or serious injury,
or property damage.**





PRIOR TO USING



Drawing E

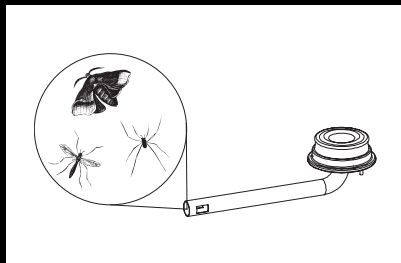
Do not use your barbecue until you have carefully read and fully understand all the information in this manual. Please ensure the following:

- Your barbecue is properly assembled.
- There are no leaks in the system (see “Leak Test”).
- The burner is properly assembled, with the Venturi tubes seated over the valve outlets (Drawing E) and that there is nothing blocking the Venturi tubes (Drawing F).
- Ensure that all power cords and/or gas supply hoses will not touch or be near surfaces that will get hot.
- The barbecue is in a safe location (see Installation).

Ensure that the valve outlets (orifices) are assembled into the Venturi tubes approximately 6 mm (1/4”) and that the valve outlets and Venturi tubes are approximately parallel to the bottom of the lower body.

WARNING

Natural Hazards Insects and Spiders



Drawing F

During shipment or storage, it’s possible that small insects like spiders could find their way into the Venturi tubes and nest or make webs. This could block the flow of gas through the Venturi tube causing a smoky yellowish flame, or prevent a burner from lighting. It could even cause the gas to burn outside the Venturi tube, which could seriously damage your barbecue. If these occur, turn off the gas flow and wait for the barbecue to cool down. When the barbecue has cooled, remove the burner and clean out the Venturi tubes with a brush or pipe cleaner. Replace the burner and ensure that the Venturi tubes are seated over the orifice located on the gas valves. Cleaning the Venturi tubes should be conducted periodically, especially at the start of the season.

Note: Damage resulting from blocked Venturi tubes is not covered under the warranty.

Orifice Size: The orifice, in conjunction with the control valve, acts to regulate and restrict the amount of gas delivered to the burner. The hole size in the orifice varies by the gas supply pressure and by the BTU rating of the burner. Grills equipped for LP gas operate at a much higher gas pressure and therefore have a smaller size orifice.

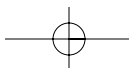
Hose and Regulator Inspection

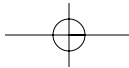
Adjustment: The regulator is factory set at a specified outlet pressure of 11” of water column and is generally factory sealed and not adjustable. Do not try to adjust. The regulator can be checked by measuring the pressure with a manometer.

Vent Hole: There is a vent hole on top of the regulator. Check that it is clear of dirt and debris. If the hole is plugged, erratic and dangerous burning may result.

O-ring Seal: Before attaching the regulator to the cylinder, inspect the rubber O-ring on the P.O.L. fitting. Do not operate the grill if the O-ring is damaged or missing. Seal damage is common and we recommend replacement of the seal when the burner is replaced or when the seal is damaged. Cracks, splits or distortion will allow gas to escape. Additionally, the seal should be soft, pliable, and protrude slightly from the brass P.O.L. valve.

Chew Marks: The hose should be kept clean of grease and food drippings which attract squirrels and other animals. The animals will often eat the drippings on the hose and chew into the hose lining trying to get the last taste. Try cleaning the hose with an ammonia cleaner solution to minimize the attraction.





SAFETY HOSE AND REGULATOR

Propane Gas Models: Your barbecue is designed to operate on L.P. (Propane) gas at a pressure of 2.74 Kpa (11" water column). A regulator preset to this pressure is supplied with the barbecue and must be used.

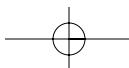
This regulator is equipped with the Type-1 quick-closing connecting system, which incorporates these safety features:

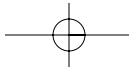
- Will not allow gas to flow until a positive seal has been made.
- Has a thermal component that will automatically shut off the flow of gas between 115-150°C (240-300°F).
- Has a flow limiting feature, which will restrict the flow of gas to 10 cubic feet/hour.

Should the large, black thermal-sensitive coupling nut be exposed to any extreme temperatures above 115°C it will soften and allow the regulator probe to disengage from the valve, and will shut off the gas. Should this occur, **do not** try to reconnect the nut; instead replace the whole regulator assembly with a new one (see the attached parts listing for details). The regulator probe also contains a flow-sensitive feature, which limits the flow of gas to 10 cubic feet/hour, in the event of a regulator malfunction or hose leak. If the flow control feature is activated, the cause of this excessive gas flow should be investigated and corrected before using the barbecue again.

Note: Improperly lighting the barbecue can activate the flow control feature, resulting in lower heat output. If this occurs, the re-flow feature must be reset by turning all the burner controls and the cylinder valve off. Wait at least 30 seconds before slowly turning on the cylinder valve, and then after another 5 seconds turn the burner valve on and light the barbecue.

- Never connect this barbecue to an unregulated propane gas supply, or to another kind of gas. **Do not** alter or change the hose or regulator in any way.
- Visually inspect the whole hose assembly before each use for evidence of wear or damage such as cracks, burns, or cuts. If any damage is found, replace the assembly before using the barbecue. Use only the recommended replacement hose.
- To avoid possible damage to the hose, **do not** allow any grease or other hot materials to fall on the hose, and make sure the hose does not contact any hot surfaces of the barbecue.
- The connection fitting must be protected when it's disconnected from the cylinder. **Do not** allow the fitting to bump or drag on the ground as nicks and scratches could help create a leak when connecting back to the cylinder.
- It is important to do the "Leak Test" procedure every time a cylinder is refilled or any of the components are changed, and especially at the beginning of a new season.





To Reset The Gas Regulator Safety Device

1. Close the LP (propane) tank valve.
2. Turn all burner control knobs to the OFF position.
3. Disconnect the regulator from the LP tank.
4. Open the grill lid.
5. Open all of the control knobs to the high position.
6. Wait 2 minutes.
7. Close all of the control knobs.
8. Re-connect the regulator to the LP tank. Test for leaks.
9. With lid open, turn the left burner control knob to the "HIGH" position and then ignite the grill by turning Rotary ignitor clockwise.
10. Once lit, close the grill lid.
11. Wait for 10 to 15 minutes for the Barbecue to preheat.

ATTENTION: Proper start up and shut down procedures should be Followed to avoid regulator safety device activation.

WARNING

If the heat output is too low, the flow control feature may have been activated by a gas leak. If so, turn off the burner valve and cylinder valve, and perform the "Leak Test". If there aren't any leaks, re-light the burner.

SAFETY

LEAK TESTING

Perform a "Leak Test"

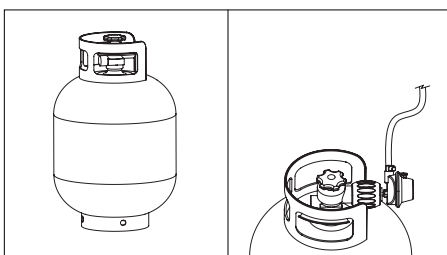
- Before lighting your barbecue for the first time.
- Every time the cylinder is refilled, or any component is replaced.
- At least once every year, preferably at the start of the season.

The "Leak Test" must be done outdoors, away from heat, open flames and flammable liquids.

Do not smoke while performing the test. Use only a mixture of 50/50 liquid soap and water for leak testing. Never use a match or open flame.

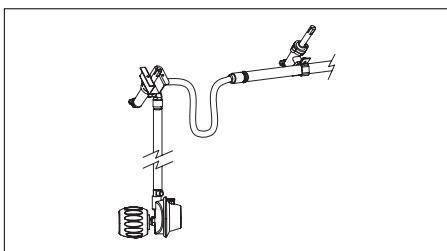
The Following Must Be Checked

- The tank valve including the threads into the tank (Drawing C).
- All tank welds (Drawing B).
- Regulator fittings and tank connections (Drawing C).
- All hose connections (Drawing D).
- **With a newly filled and tested propane tank attached to the barbecue and all the barbecue controls turned "OFF", slowly open the cylinder valve one full turn.**
- **Using a brush and soap, soak all the connections and components listed above and shown in drawings B, C, D.**
- **Look carefully for bubbles forming, which is an indication of leaking gas.**
- **Tighten the connections at the bubbled areas until re-testing shows no indication of any leaks (shut off cylinder while correcting any leaks).**
- Shut off the cylinder valve and ensure all control valves are off.
- **Do not** use the barbecue if any leaks cannot be stopped. Turn off the gas cylinder valve, remove the gas cylinder and seek assistance from a qualified gas appliance service mechanic or gas dealer.

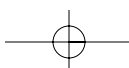


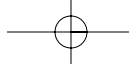
Drawing B

Drawing C



Drawing D





LIGHTING THE GRILL

Make Sure you have followed all the safety checks, procedures and instructions indicated in the previous section, before attempting to light the grill.

Lighting The Main Burners

1. Always open the hood completely and always inspect the grill and burners to confirm that all components are properly positioned before lighting the main burners.

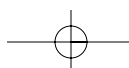
WARNING

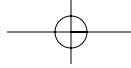
Never stand with your head directly over the Barbecue when preparing to light the main burners, to prevent possible bodily injury.

2. Always confirm that all of the burner control knobs are in the OFF position before opening the gas supply.
3. Slowly turn on the propane gas supply valve at the tank 1-2 turns.
4. Wait approximately 5 seconds before turning the selected burner control to the HIGH position by pushing down on the knob and turning it counter-clockwise. This procedure allows pressure to stabilize, and prevents the flow limiting feature from being activated.
5. Immediately turn the Rotary Ignitor knob clockwise. As you turn the ignitor you will hear a click as the Piezo module generates an ignition spark to the burner. Rotate the ignitor knob until the burner lights. The selected burner should light within 5 seconds. Light the burners sequentially from left to right.

WARNING

IF THE SELECTED BURNER DOES NOT LIGHT, immediately turn the burner control knob and cylinder valve to the OFF position, to prevent gas buildup. Wait five minutes for the gas to clear and then repeat the preceding starting procedure. IF the burner will not light when using the Ignitor, follow the match lighting instructions.





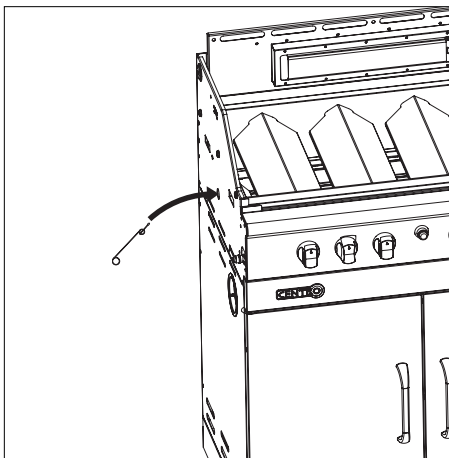
6. Confirm that the burner is properly lit. If the flame pattern is other than normal, consult the Troubleshooting Guide for corrective action.
7. Always preheat the Barbecue before starting to cook. Light all burners and adjust them to the HIGH position for 5-10 minutes. Before placing any food on the Barbecue, clean the cooking grids with a Porcelain cleaning brush.
8. Adjust the controls to a medium setting for most cooking requirements. A light coating of cooking oil on the cooking grids, before heating the grill, will prevent foods from sticking to the grill.

Turning The Burners Off

1. Always turn the burner control knobs to the off position when cooking has been completed.
2. Promptly turn OFF the gas supply valve at the propane cylinder.
3. Close the hood of the grill.

Match Lighting The Main Burners

1. Always open the hood completely and inspect the grill and burners to confirm that all components are properly positioned, before lighting the main burners.



Drawing G

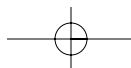
WARNING

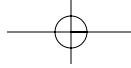
Never stand with your head directly over the Barbecue when preparing to light the main burners, to prevent possible bodily injury.

2. Always confirm that all of the burner control knobs are in the OFF position before opening the gas supply.
3. Always turn on the propane gas supply valve at the tank (1-2 turns).
4. Insert a lit match or a butane lighter into the match lighting hole located on the lower left hand side of the firebox (Drawing G).
5. Turn the left burner control knob to the HIGH position by pushing on the knob and turning it counter-clockwise.

WARNING

If the heat output is too low, the flow control feature may have been activated by a gas leak. If so, turn off the burner valve and cylinder valve, and perform the "Leak Test". If there aren't any leaks, re-light the burner.





Lighting the Second Burner

- Turn the second control knob on the main control panel to the "HIGH" position. The unlit burner will automatically ignite.

Lighting the Side Burner

Use the push-button igniter on the main control panel and the right control knob on the side burner panel.

- Push in and turn the right control knob to the "HIGH" position.
- Push the igniter button until a loud click is heard, which is the spark being formed. Repeat several times if the burner does not light.
- If the burner does not light after several tries, turn the right control knob off and wait 5 minutes for the gas to clear.
- Repeat the above instructions. If the side burner still does not light, refer to the troubleshooting section for help or light the burner manually.

Note: The side burner is designed to accept a maximum weight of 20 lb. Do not overload the side burner.

Lighting the Side Burner with a Match

- Place match in front ring of provided match holder.
- Place a lighted match through the hole to within 16 cm (1/2") of the side burner.
- Push in and turn the burner knob to the "HIGH" position. At this point, the burner should light, if it doesn't after 5 seconds, turn the control knob back to the "OFF" position and wait for the gas to clear.
- Wait 5 minutes, and then repeat the manual lighting procedure. If after three tries the burner still does not light, review the troubleshooting guide for help.

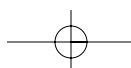
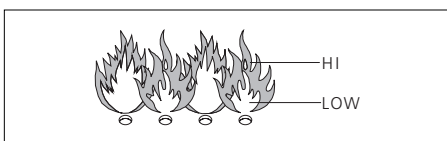
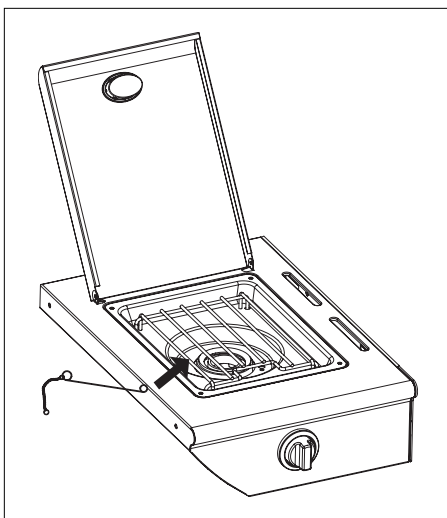
Shutting Down the Barbecue After Use

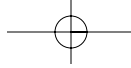
- Turn off the gas cylinder valve.
- Turn the burner control valve to the "OFF" position.

This sequence is important as it prevents residual gas from being left in the system under pressure and will make the next use easier.

Visually Check Burner Flame

Take off the grates and heat shield. Light burners. Adjust the flame by turning the knobs from "HIGH" to "LOW". The flames will be smaller when the knobs are in the "LOW" position. Always check flame prior to each use. Perform flame check for side burner.

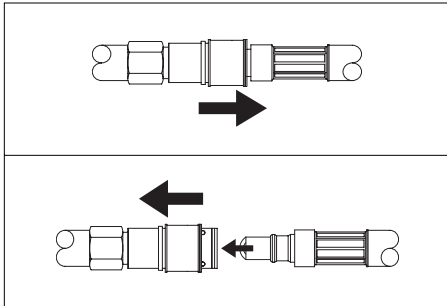




**INFORMATION ON
NATURAL GAS MODEL**

This model has a 12' hose with a male coupling plug that will allow you to attach your barbecue to your residential gas line.

WE STRONGLY RECOMMEND CONTACTING A CERTIFIED GAS-TECHNICIAN TO INSTALL YOUR NATURAL GAS UNIT.



Connecting to Gas Line

1. Pull back the outer sleeve located on the residential gas line (see illustration).
2. Insert the barbecue's male coupling plug into the residential gas line's coupling.
3. Push the male coupling plug in as far as possible, the outer sleeve will spring forward locking the two together (see illustration).

Disconnecting From Gas Line

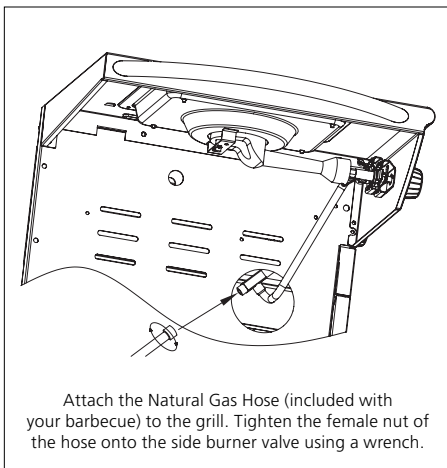
- Pull back the outer sleeve located on the residential gas line and pull the barbecue's male coupling plug out.

Warning: Failure to follow all safety procedures could result in fire and explosion causing property damage, serious personal injury or even death.

Consult the rating label on the back of the barbecue to confirm that it is set up to burn natural gas. If the retracting sleeve on the residential gas line does not fit the barbecue's male coupling plug, the retracting sleeve can be replaced. All gas supply plumbing must be carried out by a qualified service agency. Modifications must be carried out in accordance with provincial authorities, and in accordance with CAN/CGA 1-B149.1 & 2 installation code requirements. A shut-off valve must be installed on the main line. Use a 3/8 or 1/2" gas line rated at least 75,000 BTUs.

Before lighting for the first time, lighting for the first time each season, and after making any adjustments, do the following:

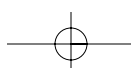
- Make sure all burner control knobs are in the "OFF" position.
- Always connect the barbecue's gas line to the residential gas line before opening the shut-off valve.
- Perform a "Leak Test". This test must be performed outdoors, away from heat, open flames and flammable liquids. **Do not** smoke while doing the test. Use only a mixture of liquid soap and water. Use a spray bottle or brush to apply the soapy solution to all the connection points. Check carefully for bubbles forming, which is a sign of leaking gas. If you have a leaky connection, turn the gas off, tighten the connections, turn the gas back on and retest. **Do not** use the barbecue if any leaks cannot be stopped. If you can't stop a leak, turn the gas off and get assistance from a qualified service technician. Never use a match or open flame.



Natural Gas Supply Connection

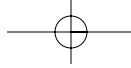
Always disconnect the Grill and close its individual manual shutoff valve, when conducting pressure tests of the gas supply piping system at pressures which exceed 1/2 psi (3.5kPa).

- Always isolate the Grill from the gas supply piping system by closing its individual manual shutoff valve when conducting pressure tests of the gas supply piping system at pressures which are equal to or less than 1/2 psi (3.5kPa).

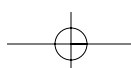
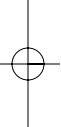
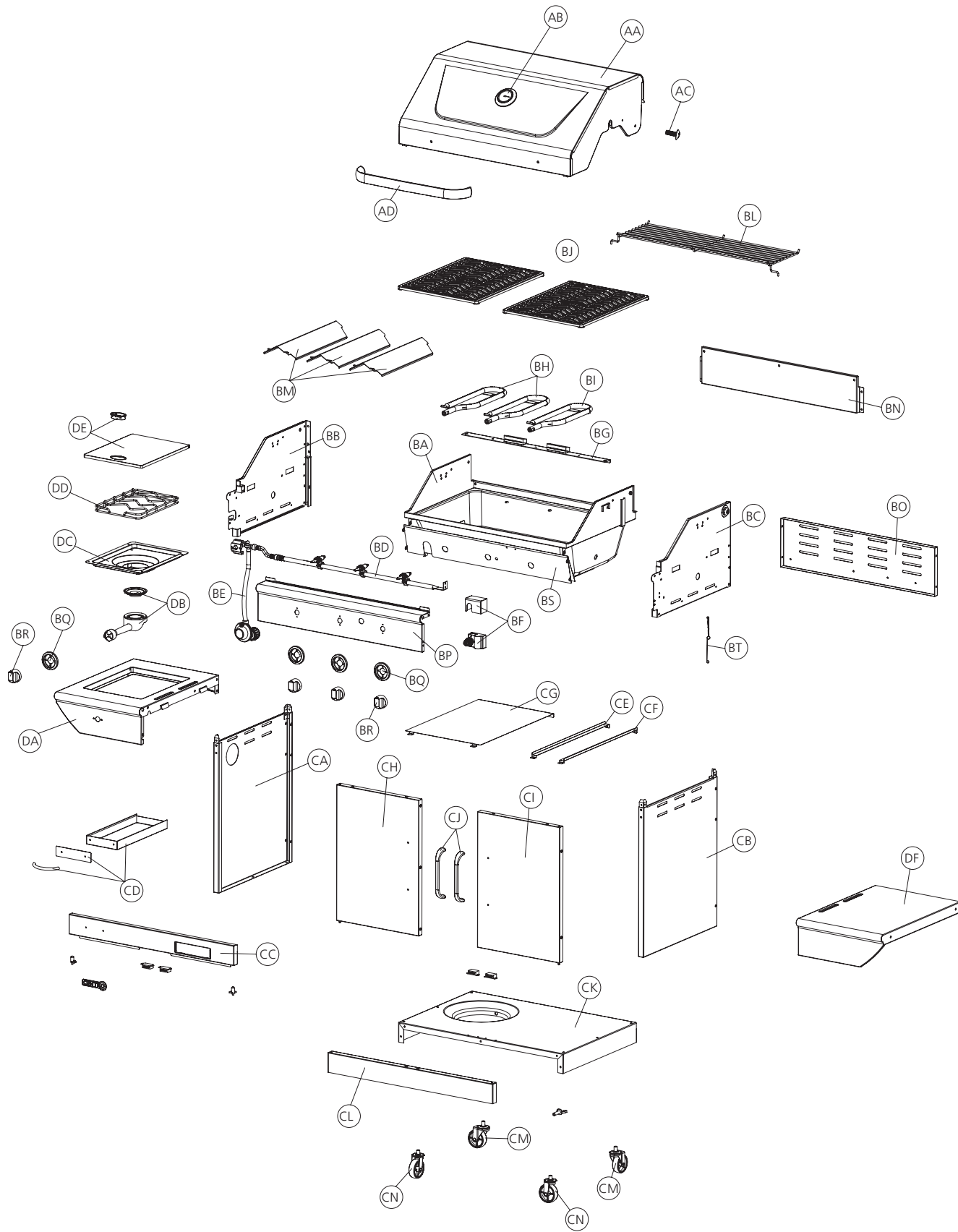


**PARTS LISTING FOR
85-1114 (PROPANE)
G50206**

Item No.	Quantity	Specification	Part No.
A	1	Top Lid Assembly	
AA	1	Top Lid Weldment	G502-0100-02
AB	1	Thermometer	G413-0029-01
AC	2	Screw F/ Top Lid	G501-0005-01
AD	1	Handle F/ Top Lid	G502-0001-01
B	1	Burner Box Assembly	
BA	1	Burner Box Weldment	G502-3700-01
BB	1	Upper Side Panel, Left	G502-1300-01
BC	1	Upper Side Panel, Right	G502-1400-01
BD	1	Manifold Assembly	G502-4000-01
BF	1	Electronic Ignition Kit	G502-0066-01
BG	1	Carryover Assembly	G502-0012-01
BH	2	Main Burner-A	G607-0700-01
BI	1	Main Burner-B	G502-1800-01
BJ	1	Cooking Grate, Burner Box	G502-0054-01
BL	1	Warming Rack	G502-0053-01
BM	3	Flame Tamer	G502-0011-01
BN	1	Burnerbox Rear Panel	G502-0073-01
BO	1	Upper Rear Panel	G502-0071-01
BP	1	Control Panel	G502-0008-01
BQ	5	Bezel F/ Control Knob	G401-0022-01
BR	5	Control Knob	G413-0020-01
BS	1	Heat Shield A	G502-0052-01
BT	1	Match Holder	G608-0019-01
CA	1	Lower Side Panel, Left	G502-1500-01
CB	1	Lower Side Panel, Right	G502-1600-01
CC	1	Upper Rail	G502-4800-01
CD	1	Grease Tray	G502-9100-01
CE	1	Grease Tray Bar-1	G607-0033-01
CF	1	Grease Tray Bar-2	G607-0034-01
CG	1	Heat Shield, Tank	G502-0018-01
CH	1	Door Assembly, Left	G502-5700-01
CI	1	Door Assembly, Right	G502-5800-01
CJ	2	Door Handle	G413-0016-01
CK	1	Bottom Shelf	G502-2500-01
CL	1	Bottom Rail	G502-0015-01
CM	2	Caster Assembly w/ Lock	G401-0061-01
CN	2	Caster Assembly	G606-0027-01
D	1	Side Burner Shelves Assembly	
DA	1	Side Burner Shelf Weldment	G502-5400-01
DB	1	Side Burner	G401-0033-01
DC	1	Side Burner Drip Pan	G401-0300-01
DD	1	Cooking Grate, Sideburner	G502-0064-01
DE	1	Lid F/ Sideburner	G405-0010-01
DF	1	Side Shelf Weldment	G502-5900-01

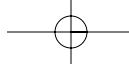


85-1114 (PROPANE) G50206



**PARTS LISTING FOR
85-1099-8 (NATURAL GAS)
G50208**

Item No.	Quantity	Specification	Part No.
A	1	Top Lid Assembly	
AA	1	Top Lid Weldment	G502-0100-02
AB	1	Thermometer	G413-0029-01
AC	2	Screw F/ Top Lid	G501-0005-01
AD	1	Handle F/ Top Lid	G502-0001-01
B	1	Burner Box Assembly	
BA	1	Burner Box Weldment	G502-3700-01
BB	1	Upper Side Panel, Left	G502-1300-01
BC	1	Upper Side Panel, Right	G502-1400-01
BD	1	Manifold Assembly	G502-4000-01
BE	1	Regulator	G601-0065-01
BF	1	Electronic Ignition Kit	G502-0066-01
BG	1	Carryover Assembly	G502-0012-01
BH	2	Main Burner-A	G607-0700-01
BI	1	Main Burner-B	G502-1800-01
BJ	1	Cooking Grate, Burner Box	G502-0054-01
BL	1	Warming Rack	G502-0053-01
BM	3	Flame Tamer	G502-0011-01
BN	1	Burnerbox Rear Panel	G502-0073-01
BO	1	Upper Rear Panel	G502-0071-01
BP	1	Control Panel	G502-0008-01
BQ	5	Bezel F/ Control Knob	G401-0022-01
BR	5	Control Knob	G413-0020-01
BS	1	Heat Shield A	G502-0052-01
BT	1	Match Holder	G608-0019-01
CA	1	Lower Side Panel, Left	G502-1500-01
CB	1	Lower Side Panel, Right	G502-1600-01
CC	1	Upper Rail	G502-4800-01
CD	1	Grease Tray	G502-9100-01
CE	1	Grease Tray Bar-1	G607-0033-01
CF	1	Grease Tray Bar-2	G607-0034-01
CG	1	Heat Shield, Tank	G502-0018-01
CH	1	Door Assembly, Left	G502-5700-01
CI	1	Door Assembly, Right	G502-5800-01
CJ	2	Door Handle	G413-0016-01
CK	1	Bottom Shelf	G502-2500-01
CL	1	Bottom Rail	G502-0015-01
CM	2	Caster Assembly w/ Lock	G401-0061-01
CN	2	Caster Assembly	G606-0027-01
D	1	Side Burner Shelves Assembly	
DA	1	Side Burner Shelf Weldment	G502-5400-01
DB	1	Side Burner	G401-0033-01
DC	1	Side Burner Drip Pan	G401-0300-01
DD	1	Cooking Grate, Sideburner	G502-0064-01
DE	1	Lid F/ Sideburner	G405-0010-01
DF	1	Side Shelf Weldment	G502-5900-01



ASSEMBLY INSTRUCTIONS

Tools Needed for Assembly

- #2 Phillips® screwdriver
- Pliers
- 1/4" slotted screwdriver
- Rubber mallet
- Adjustable wrench

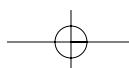
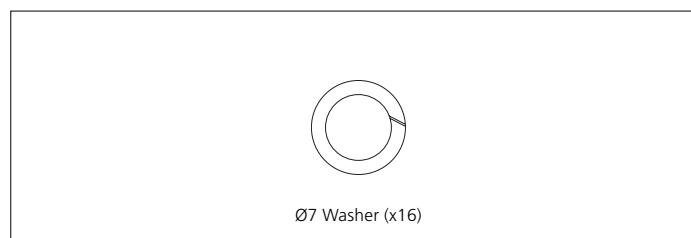
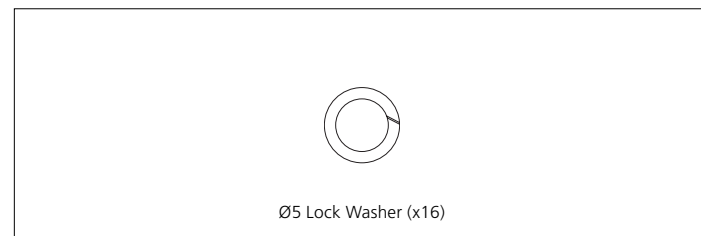
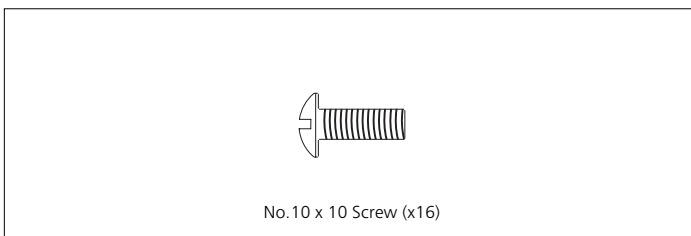
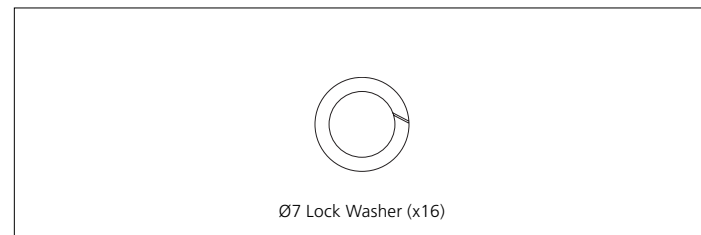
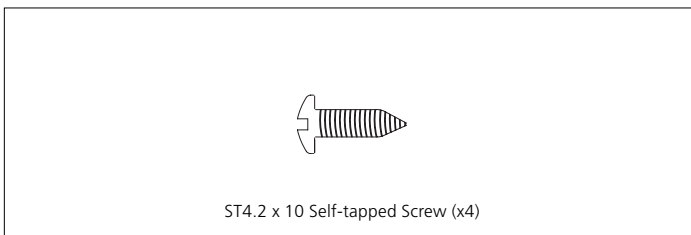
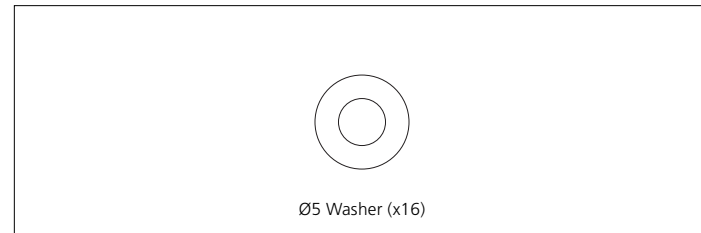
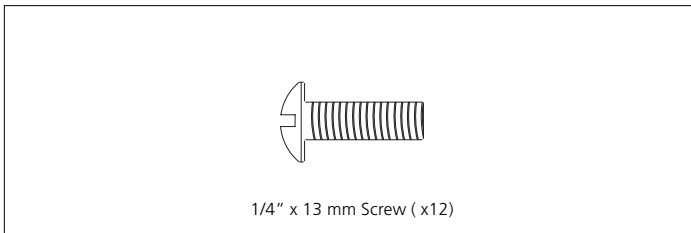
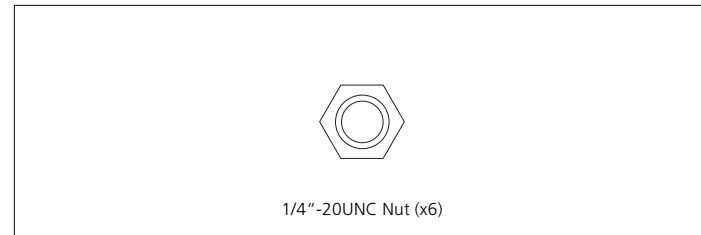
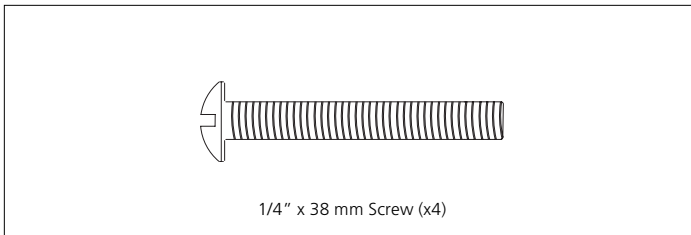
Before assembling the barbecue, read these instructions carefully. Assemble the barbecue on a flat, clean surface. Grill is heavy. You should have two people assemble the barbecue together.

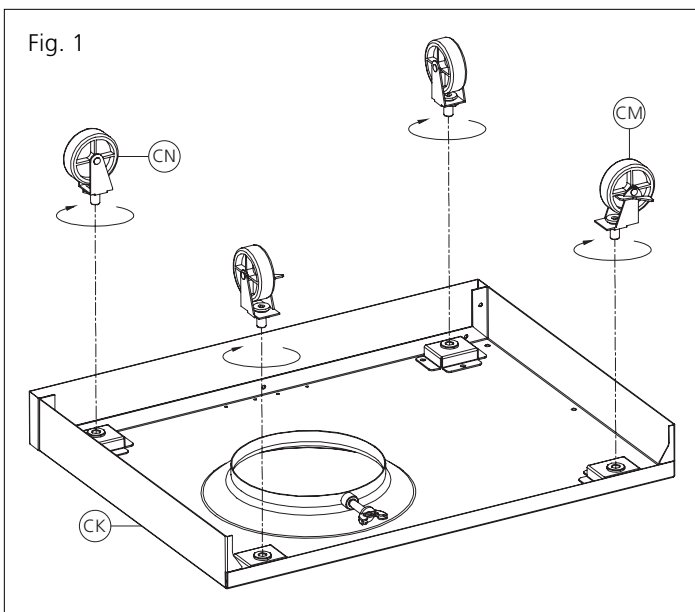
Notes: Do not fully tighten all the nuts during this initial stage.

Caution: Sheet metal can cause injury. Wear gloves when installing the grill. Use care when assembling.

Hardware Pack List

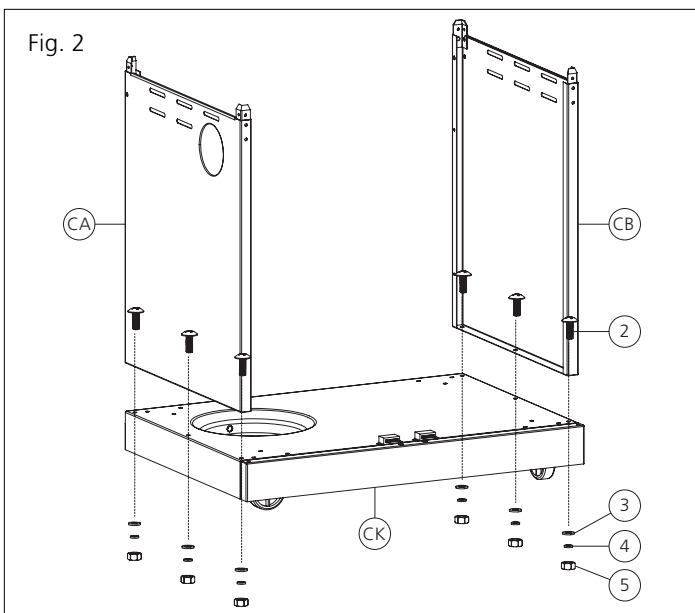
No.	Description	Part Number	Quantity
1	1/4" x 38mm Screw	20120-13038-250	4
2	1/4" x 13mm Screw	20120-13013-250	12
3	Ø7 Lock Washer	41400-07000-250	16
4	Ø7 Washer	40300-07000-250	16
5	1/4"-20UNC Nut	30220-13000-250	6
6	NO.10 x 10 Screw	20124-10010-250	16
7	Ø5 Lock Washer	41400-05000-250	16
8	Ø5 Washe	40300-05000-250	16
9	ST4.2 x 10 Tapping Screw	22500-42010-132	4
10	Knob	G413-0020-9084	1
11	Cover, Knob	G401-0022-0081	1
12	AA-Battery	G401-0088-9000	1
13	Wrench	G401-0071-0182	1





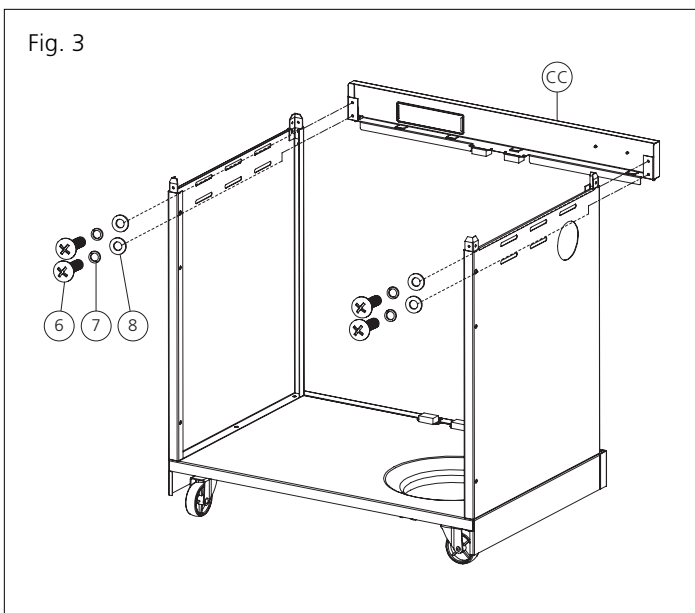
1

Attach two front casters (CN) and two back casters with lock (CM) to the bottom shelf (CK) using the wrench #13 provided.



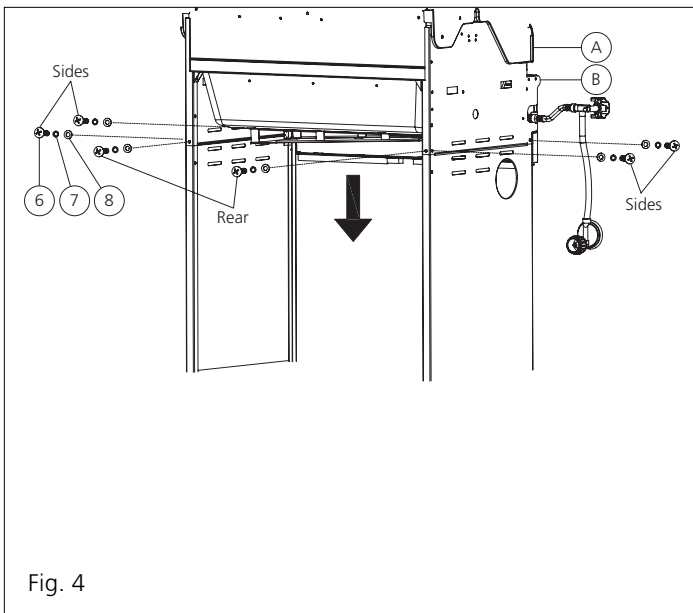
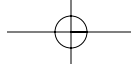
2

Assemble the left and right cart side panel (CA & CB) to the bottom shelf (CK) as shown using hardware #2 (X6) (from the top) and #3, #4 and #5 (X6) (from the bottom).



3

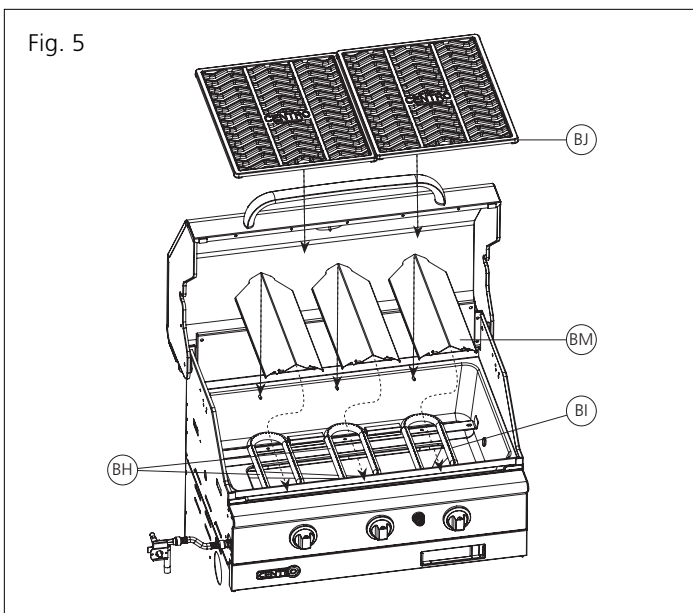
Assemble the upper rail (CC) to the cart assemble using hardware #6, #7 and #8 (x4).



4

Place the top lid and burner box assembly (A+B) onto the cart assembly as shown.

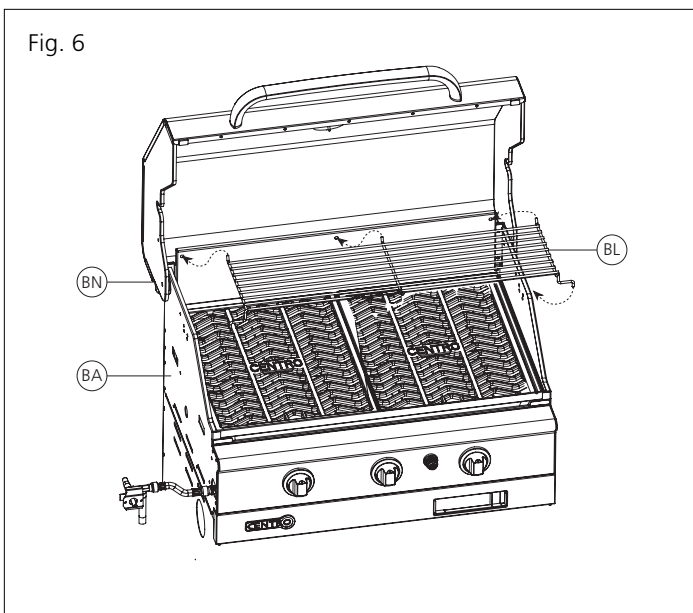
Attach them using hardware #6, #7 and #8 (x6) to the screw holes as shown.



5

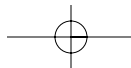
Open lid and position the 3 flame tamers (BM) above the 3 main burners (BH & BI).

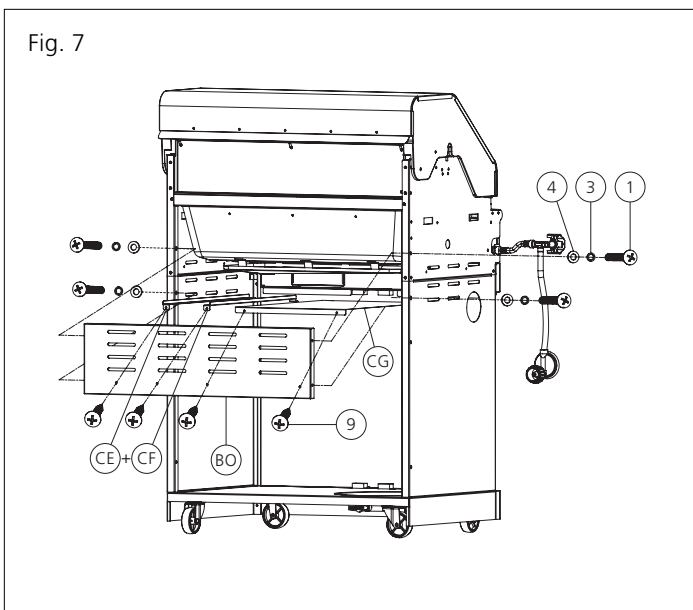
Place the 2 cooking grates (BJ) into the burnerbox above the flame tamers (BM).



6

Attach the warming rack (BL) to the inside of the Burner Box as shown. Make sure to insert the front 3 bars into the 3 holes of the burner box rear panel (BN). Place the two legs of the warming rack clip onto the edge of burner box weldment (BA).





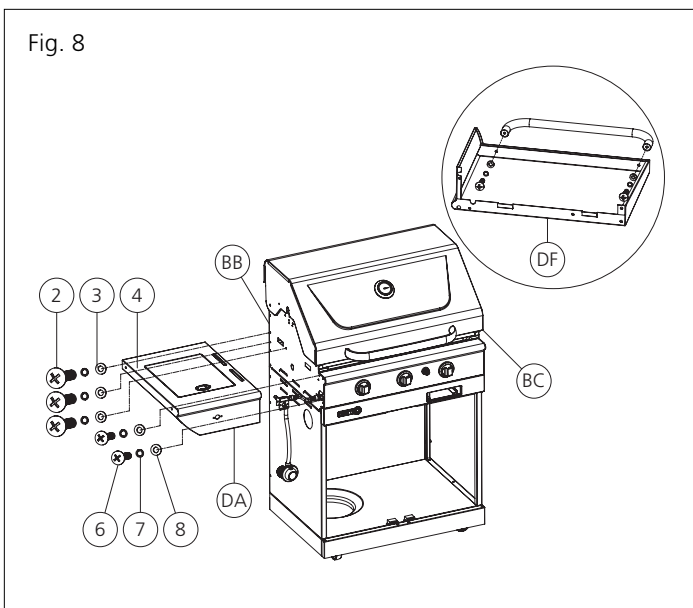
7

Insert the left and right grease tray bar (CE & CF) into the holes of upper rail (CC) as shown.

Insert the tank heat shield (CG) into the upper rail (CC) next to the 2 grease tray bars as shown.

Assemble the upper rear panel (BO) to the burner box and cart assembly using hardware #1, #3 and #4 (x4).

Attach the upper rear panel (BO) to both grease tray rails (CE & CF) and heatshield (CG) using hardware #9 (x4) as shown.

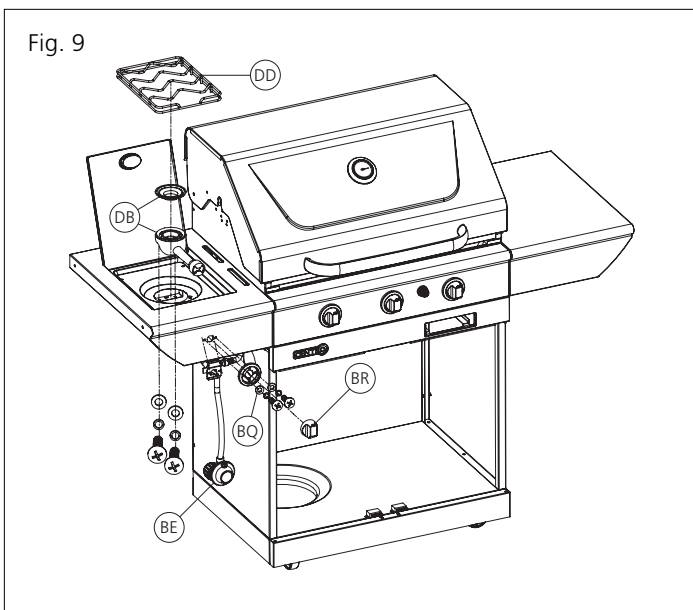


8

Assemble the side burner shelf (DA) to the burner box assembly using hardware #2, #3 and #4 (x3) to fit the 3 holes at the back part of the left upper panel (BB) as shown.

Use #6, #7 and #8 (x2) to attach the side burner shelf (DA) through the 2 front holes as shown with the left upper panel (BB).

Assemble the side shelf (DF) to the upper right panel (BC) by using the same hardware.



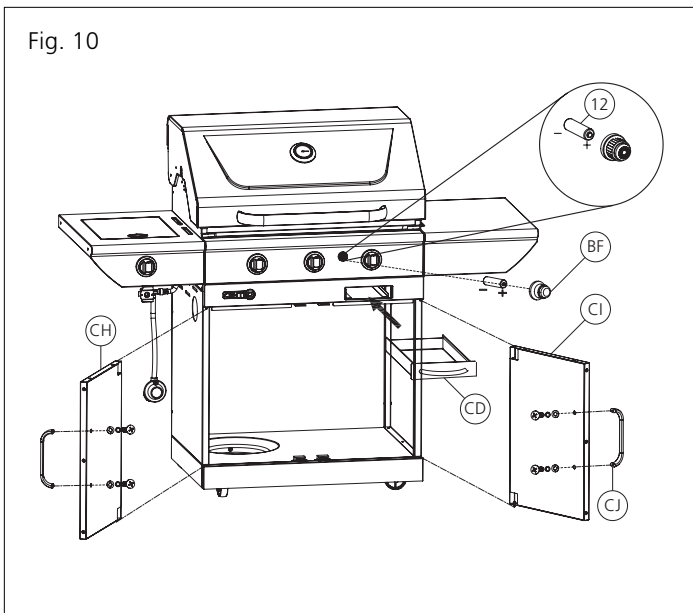
9

Push the side burner valve stem (part of (BD)) and mount it by using screws and washers included on the valve bracket, threading through the side burner control panel. Affix the Bezel (BQ) onto the valve stem using hardware provided. Push the knob (BR) onto the valve stem with the arrow on the knob pointing upwards.

Insert the side burner (DB) into the frame. Affix the side burner to the side burner bracket using hardware #6, #7 and #8 (x2) as shown.

Gently slide the burner tube over the orifice of the valve.

Then place the side burner cooking grate (DD) as shown.

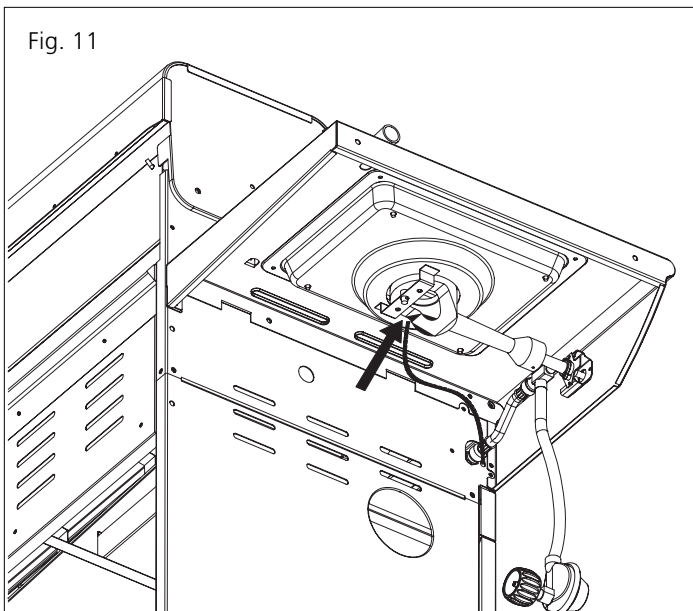


10

Remove the screws and washers from the door handles (CJ) and assemble the handles to the left and right door (CI & CH) by using the same hardware provided on the door handles.

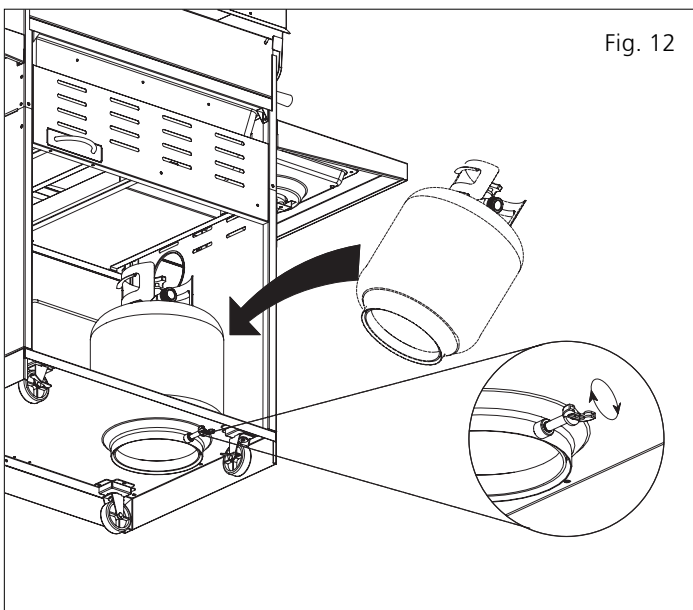
Insert the grease tray (CD) into the upper rail (CC) as shown.

Unscrew the igniter cap and place the AA battery #12 provided into igniter (BF) with positive end (+) facing outward. Screw the igniter cap onto the igniter as shown.



11

Attach the side burner igniter wire as shown.



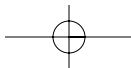
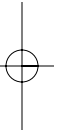
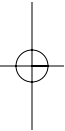
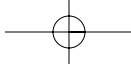
12

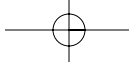
For propane model only

Secure 20 lb propane tank onto the bottom shelf of the cart as shown, attach the regulator valve to 20 lb propane tank.

WARNING

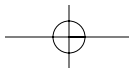
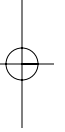
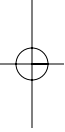
Do not store extra propane tanks within BBQ cart.

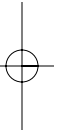
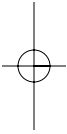
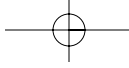




DISTRIBUTOR

Trileaf Distribution Trifeuil
Toronto, Canada
M4S 2B8





CENTRO

